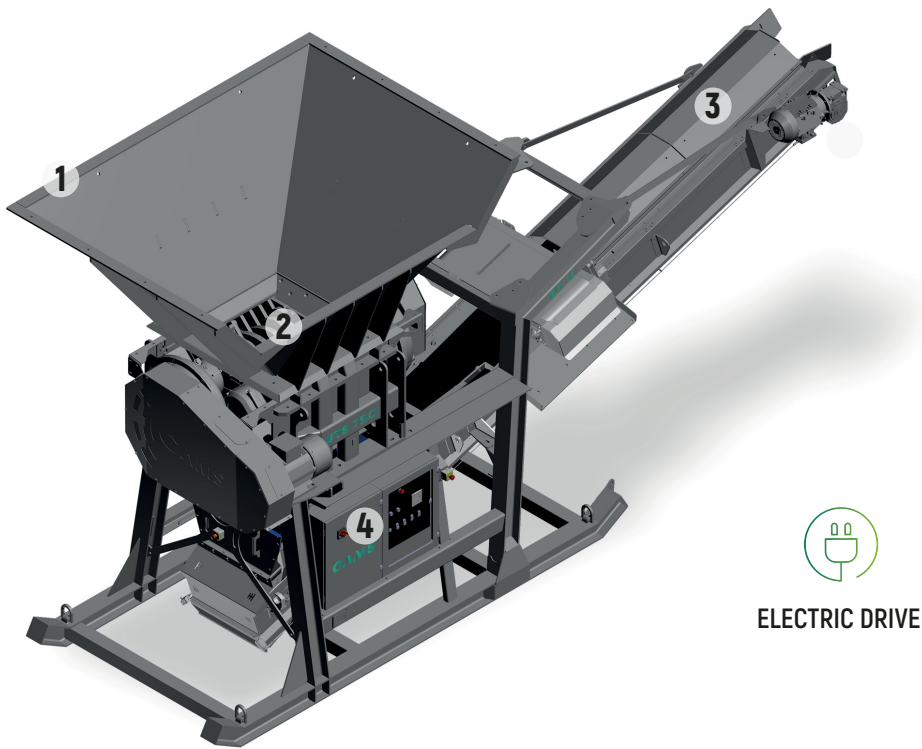


UTS 750

UTS 750 is the most compact model in the range of transportable stationary plants for shredding and recycling of aggregates, rubble, asphalt and other materials.

It is able to achieve maximum productivity with minimum consumption; moreover, the slow action of the trees of the shredder guarantees low noise pollution and reduced dust emission



1 Hopper

Volume: 1.50 m³
Length: 2.30 m
Width: 1.70 m

2 Shredder

Model: FTR 750
Surface: mm 750 x 900

3 Main conveyor

Width: 600 mm
Length: 5m

4 Electric drive

Supply: 30 kW



ELECTRIC DRIVE

FEATURES

- Automatic programs for shredding different materials
- Ability to process wet materials
- High wear resistance
- Low emissions and acoustic pollution

OPTIONS

- GPS
- Belt scale
- Electrical greasing pump

Max. Production

80 t/h

UTS 750	
Length	7.00 m
Height	2.50 m
Width	2.50 m
Weight	11'000 kg