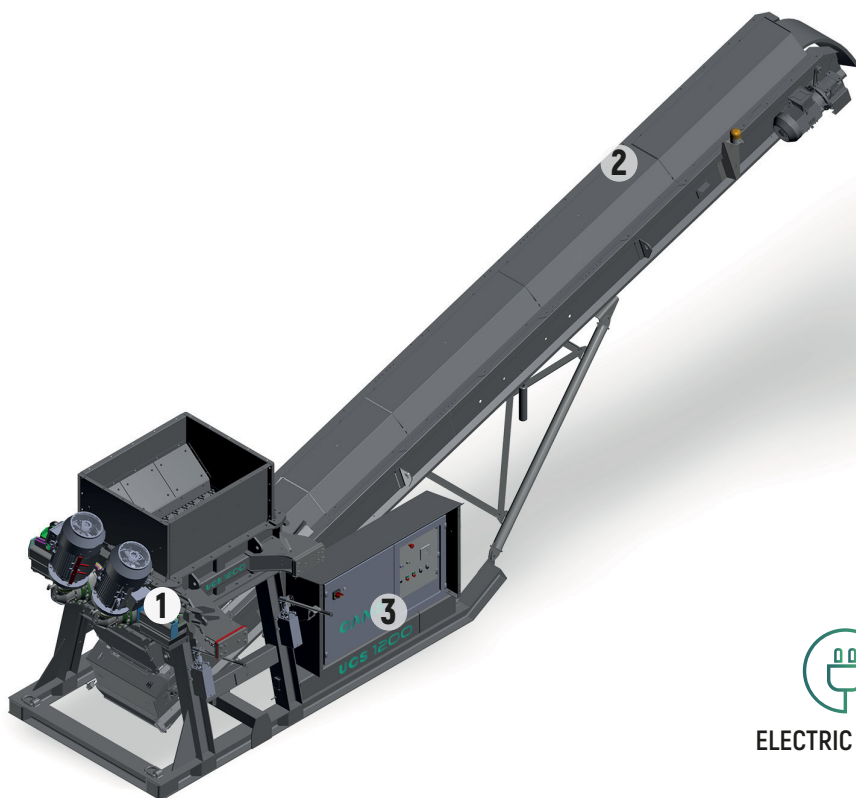


# UCS 1200

UCS 1200 is designed for the secondary crushing of oversize material from the screening unit. It is powered by electricity and can cooperate with any type of screening.



ELECTRIC DRIVE

## FEATURES

- Automatic programs for shredding different materials
- Ability to process wet materials
- Transport in compact form
- High wear resistance
- Low emissions and low noise

## OPTIONS

- GPS
- Belt scale
- Cross magnet

## 1 Secondary shredder

Model: CTR 1200

Surface: mm 1200 x 900

## 2 Main conveyor

Width: mm 600

Length: m 8

## 3 Electric drive

Supply: 50 kW

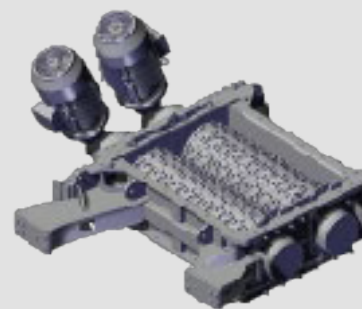
### UCS 1200

Length	8.20 m
Height	3.10 m
Width	1.90 m
Weight	5'500 kg

## CTR 1200

### CTR 1200

Length	2.2 m
Height	1.3 m
Width	1.9 m
Weight	3'200 kg



## Max. production

120 t/h